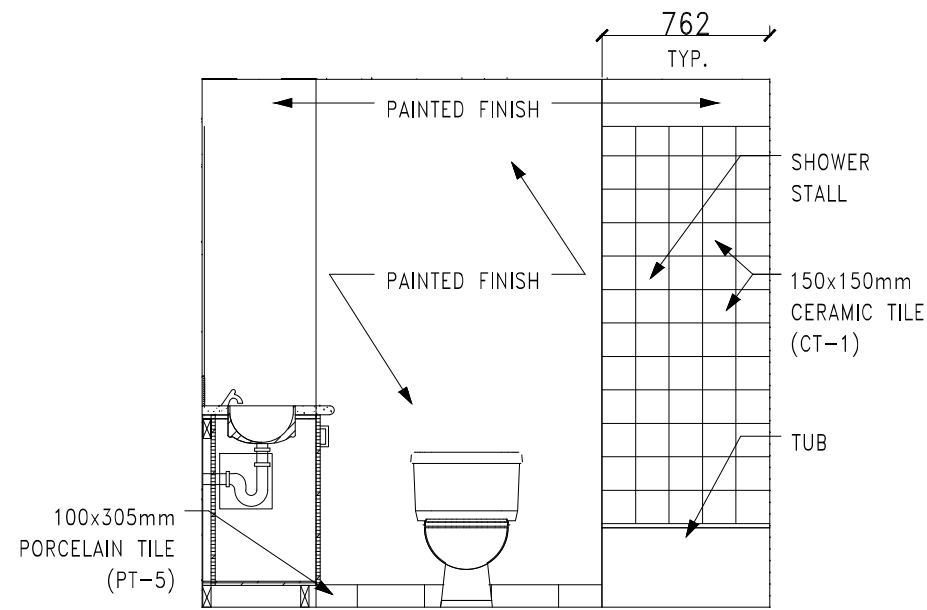
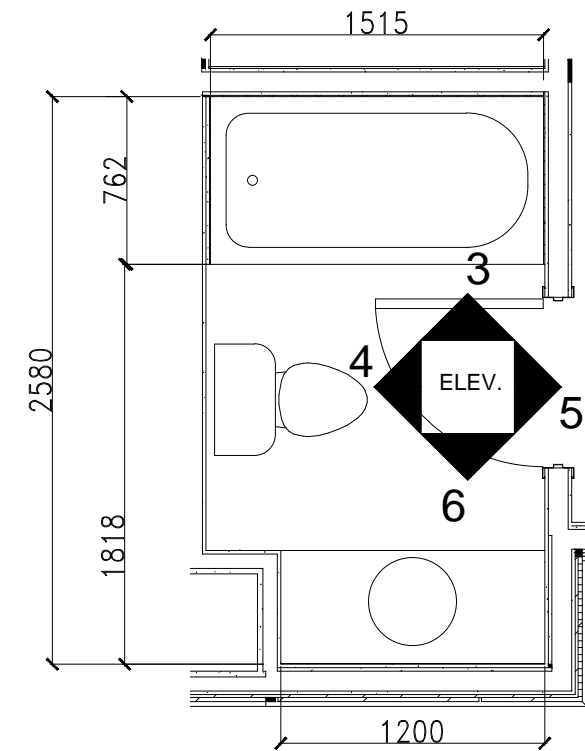


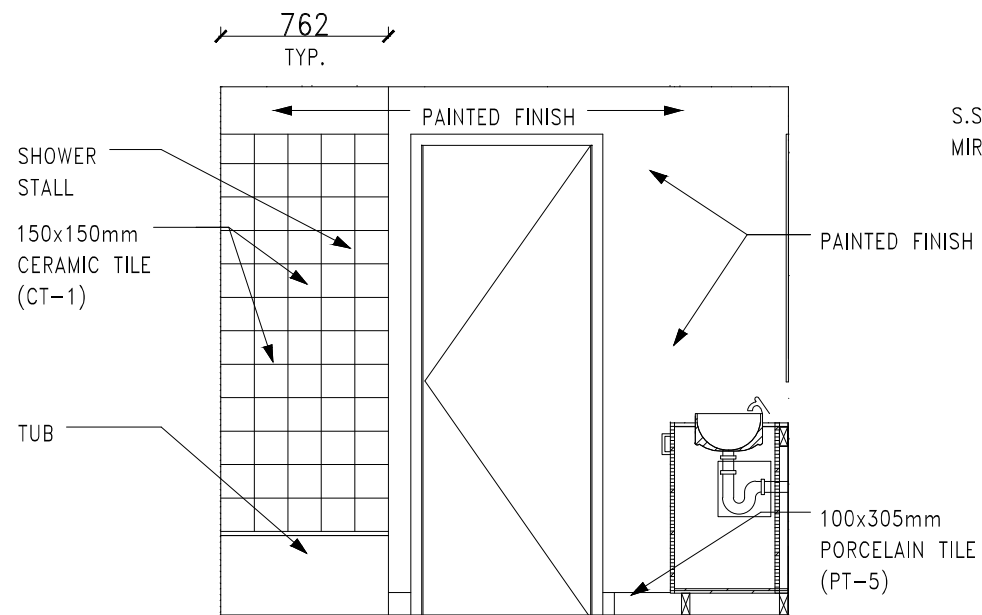
3 TOILET ROOM ELEVATION



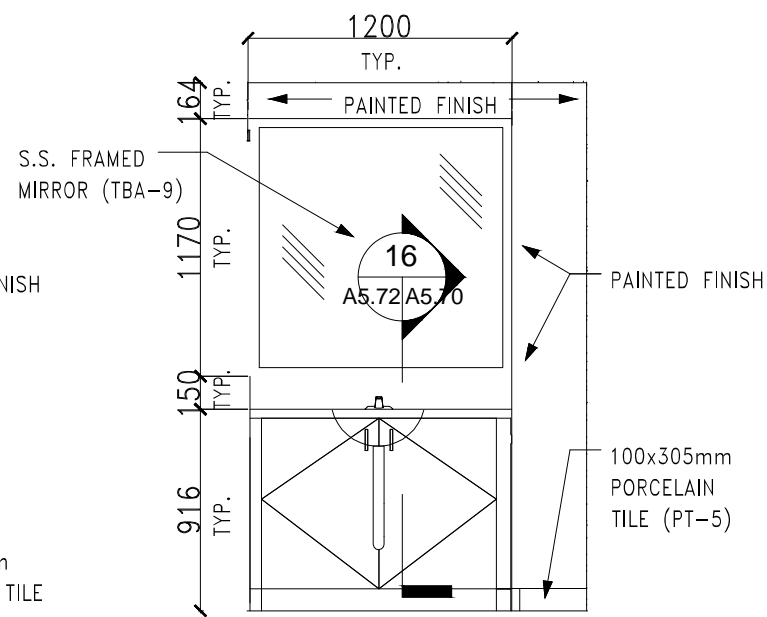
4 TOILET ROOM ELEVATION



1 TOILET ROOM PLAN
NOTE: ALL DIMENSION ARE IN MILLIMETERS



5 TOILET ROOM ELEVATION



6 TOILET ROOM ELEVATION

EXISTING TOILET LAYOUT PLANS

SENSITIVE BUT UNCLASSIFIED